

SINGLE POINT LASTCELL 1250



Lastcellens låga profil och parallelogramkonstruktion möjliggör direktmontage av vågbord

Kapacitet: 50-1000 kg

Direkt monterat vågbord upp till 600 x 600 kg

Tolerans: 0.02 %

OIML R60 och NTEP godkänd

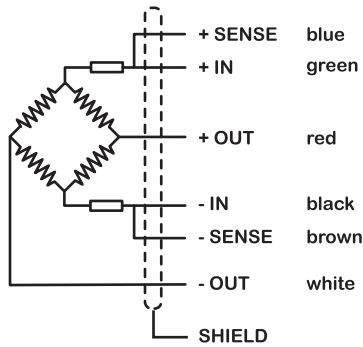
Lastcellskabel: 6-ledare (inkl SENSE)

www.industrivagar.se

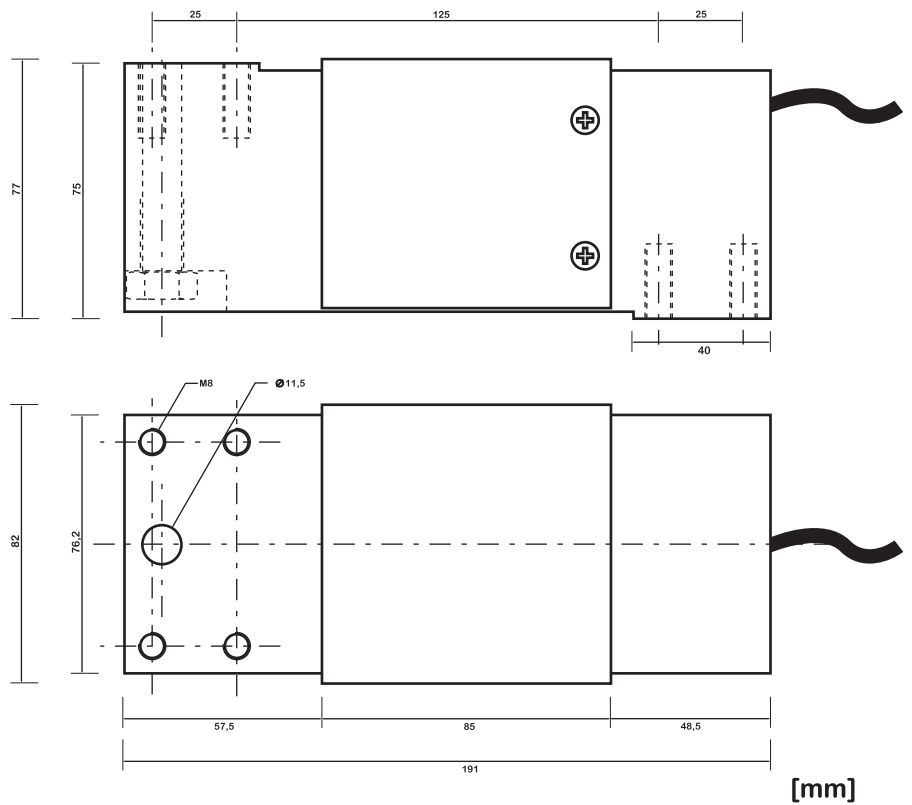
LOAD CELL

mod. 1250

Electrical connections



Balanced temperature compensation



[mm]

Specifications

Rated capacity

50, 75, 100, 150, 200,
250, 300, 500, 1000**

kg

Rated output

2,0 ±10%

mV/V

Total error*

0,020

± of applied load

Total error of off centre loading anywhere on a 600x600 mm Platter meets OIML regulations for

3000

Divisions

Creep at Rated capacity: Zero return after 30 mins

0,016

±% of applied load

Zero balance

±% of rated output

Temperature Range: operating
compensated

-30 to +70

°C

-10 to +40

°C

Temperature effect: on output
on zero

0,0010

% of applied load

0,0023

% of rated output

Maximum safe moment

30x rated capacity (to 300 kg)
10 000 (>300 kg)

kg-cm

kg-cm

Maximum overload at the centre loading point

200

% of rated capacity

Ultimate overload at the centre loading point
without mechanical stop

300

% of rated capacity

Excitation: recommended
maximum

10

V: AC or DC

15

V: AC or DC

Input impedance

415 ±15

Ohms

Output impedance

350 ±3

Ohms

Insulation impedance

>5000

Megaohms

Deflection at rated capacity

<0,4

mm

Weight

2,4

kg

Construction

Anodised aluminum

Environmental protection

IP65 Standard (IP67 available)

Cable

3 m (standard) 6 wire, polyurethane jacket dual screen

*Total error according to OIML R60 **1000kg recommended for centre loading only