



Precision Transducers Ltd.



...better loadcells by design!

Model LPX

LOW PROFILE MINI DISK

25, 50, 100, 250, 500, 1000 Kg 2.5, 5, 10, 25, 50 t

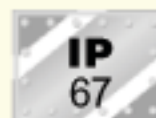
APPLICATIONS

- Low profile platforms
- Hoppers, tanks
- Process weighing
- Hostile environments
- Industrial weighing
- Mini disk applications



FEATURES

- Miniature compression type
- Replaces similar low cost models
- Rugged tool steel construction
- Designed for economical weighing
- Individually calibrated, test certificate supplied
- Simple installation
- Fully sealed
- Corrosion resistant Electroless nickel plated
- Stainless steel models available
- Standard compression mount available





Model LPX

LOW PROFILE MINI DISK

25, 50, 100, 250, 500, 1000 Kg 2.5, 5, 10, 25, 50 t

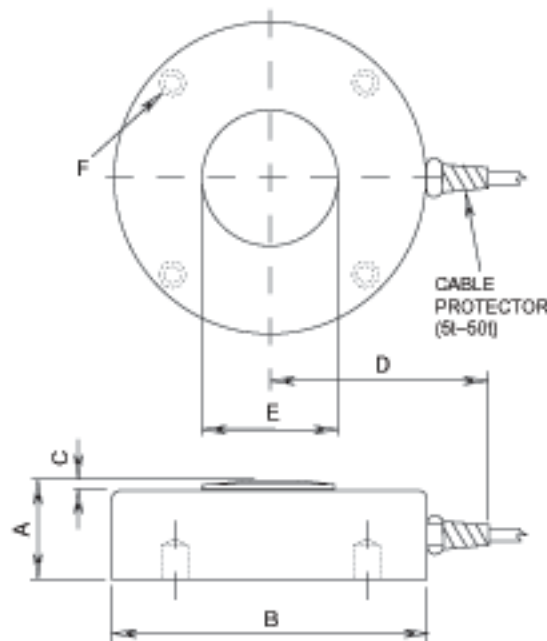
Ordering Information

Capacity	Model
25kg	LPX 25
50kg	LPX 50
100kg	LPX 100
250kg	LPX 250
500kg	LPX 500
1000kg	LPX 1000
2.5t	LPX 2500
5.0t	LPX 5000
10.0t	LPX 10000
25.0t	LPX 25000
50.0t	LPX 50000

Cable Colour Code

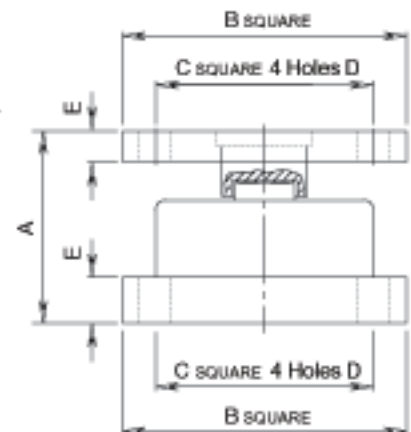
Excitation +ve	Red
Sense +ve	Brown
Excitation -ve	Black
Sense -ve	Blue
Signal +ve	Green
Signal -ve	White

Note: Only 6 core cable has Sense (25kg-2500kg 4 core)



Accessories

The complete mount below is used with the LPX in compression load applications. This mount has convenient bolt holes located on both the top and bottom plates, integral side restraint is accommodated by the special restraining socket.



A full range of accessories is available, please contact us for further details

Load Cell Dimensions

Capacity	A	B	C	D	E	F
25-1000Kg	22	52	4	30	10	M5 x 0.8 on 44 PCD
2.5t	25	52	4	30	10	M5 x 0.8 on 44 PCD
5.0t	30	100	5	95	20	M6 x 1.0 on 85 PCD
10.0t	35	100	5	95	20	M6 x 1.0 on 85 PCD
25.0t	50	115	10	100	32	M12 x 1.75 on 90 PCD
50.0t	55	155	12	125	45	M12 x 1.75 on 130 PCD

Accessory Dimensions

Capacity	A	B	C	D	E	F
25-1000Kg	55	100	65	∅ 14	11.5	11.5
2.5t	58	100	65	∅ 14	11.5	11.5
5.0t	76	125	100	∅ 14	15	15
10.0t	81	125	100	∅ 14	15	15
25.0t	100	150	115	∅ 17	24	16
50.0t	115	180	135	∅ 17	31	16

Dimensions are shown in millimeters and capacities are in kgs/metric tons

Specifications

Nominal capacity	25kg to 50000kg	Input Resistance	410 ohms nominal
Nominal output at capacity	2.0 mV/V ±0.1%	Service Load	100% of capacity
Factory calibration mode	compression	Safe Load	150% of capacity
Linearity error	0.1%	Mechanical Failure	>300% of capacity
Repeatability	0.07%	Recommended Excitation	5V to 20V ac/dc
Zero return, creep (30 mins)	0.07%	Maximum Excitation	25V dc
Temperature Effect on Span/10° C	0.01%	Cable Type	4 or 6 conductor screened
Temperature Effect on Zero/10° C	0.07%	Cable Length	25Kg-2.5t 3 Metres 4 Core 5T-10t 5 Metres 6 Core 25T-50t 10 Metres 6 Core
Insulation Resistance - brg. to gnd	>5000 M ohms	Environmental Protection	IP67 Standard
Insulation Resistance - cbl. to gnd	>1000 M ohms		
Compensated temp. range	-10° C to 50° C		
Output Resistance	351 ohms		

Note: All specifications are a maximum, as a % (±) of full load, unless otherwise stated.